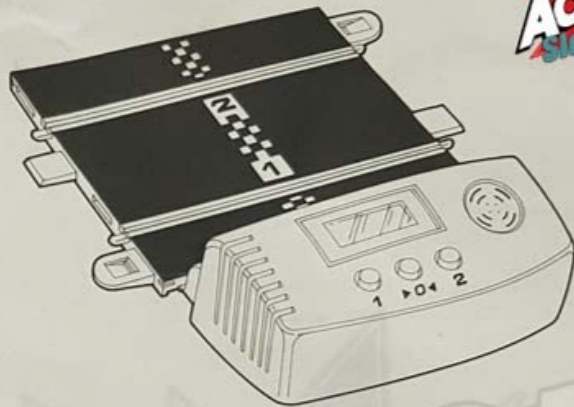


LAP COUNTER / TIMER



Features

- Counts down from a pre-set number of laps (up to a total of 999 laps).
- Times lap speed in each lane and records best time to the nearest tenth of a second.
- Keeps drivers informed at all stages of the race by LED display and sound signalling. (Up to 99.9 seconds lap time displayed).
- Battery operated.

Safety Notes

This product is not suitable for children under 8 years and is for use only with Scalextric track.

Only use good quality Type AA 1.5 volt Alkaline batteries. To fit the batteries, refer to Fig. 1 on page 3, and the diagram inside the battery compartment. Make sure battery compartment lid is firmly secured.

Do not use re-chargeable batteries.

Do not short-circuit battery terminals.

Please refer to the Battery Safety Guidelines on page 4 of this leaflet and retain this leaflet for future reference.

Setting up

1. Fit two Type AA 1.5 volt alkaline batteries into the battery compartment. Make sure that they are the right way round, as marked inside the compartment. (See Fig 1). The display will be as Fig 2 (a). The outside numbered blue buttons apply to the numbered track lanes. The centre blue button will reset the display.
2. Press each track lane button to set the number of laps required for a race. Each button produces a different 'beep' tone for identification. The display will now show laps entered for each lane, similar to Fig 2 (b). Make sure each display shows an equal number of laps, unless one car is to be 'handicapped'.
3. Place cars **behind** the chequered Start Line, in the direction indicated by the arrow in Fig 3, and start the race. As each car is driven across the chequered line, the Lap Counter will 'beep'. Laps begin counting down after the first complete lap. Again, each car produces a different 'beep' tone for identification.

Note

The Lap Counter / Timer is pre-assembled to the left side of the Powerbase. This is the correct position for assembly into your layout.

Race Information

At the end of each lap, the 'laps remaining' display will reduce one by one, as each car passes over the chequered line.

After the first lap, the fastest lap time for each car will be signalled by a double beep and the time will be displayed, similar to Fig 2 (c). If the previous fastest lap time is beaten, the time will be shown for 2 or 3 seconds, after which the 'laps remaining' display will re-appear.

The end of a race will be signalled by a continuous beep pattern, and the winner's display flashing the chequered flag. At the same time, best lap times will be shown with the fastest lap time flashing for it's related car. See Fig 2 (d). Lap times up to 99.9 seconds will be displayed. To stop the sound and the flashing display, press any blue button.

Note

After approximately 3 minutes of inactivity, the Lap Counter will switch itself off to save battery power. Press any blue button to switch back on.

Fig. 1

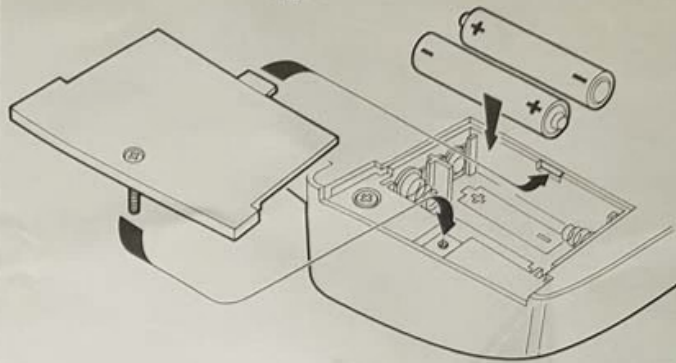


Fig. 2

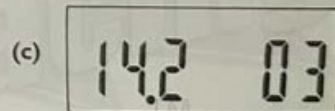
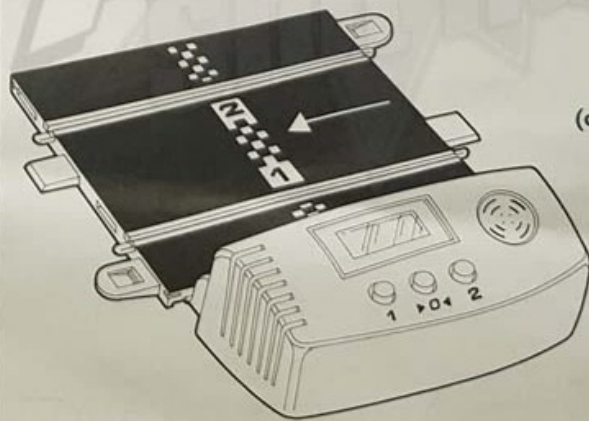


Fig. 3



Battery Safety Guidelines

Used correctly, domestic batteries are a safe and dependable source of portable power. Problems can occur if they are misused or abused – resulting in leakage or, in extreme cases, fire or explosion.

Please follow these simple guidelines to eliminate the possibility of such problems.

- Always** take care to fit batteries correctly. Observe the plus and minus signs on the batteries and in the battery compartment.
- Always** replace the complete set of batteries at one time, taking care not to mix old and new batteries or batteries of different types.
- Always** store unused batteries in their packaging and away from metal objects which may cause short-circuits.
- Always** remove dead batteries from equipment. Remove batteries from equipment which you know will not be used for a long time. Otherwise the batteries may leak and cause damage.
- Always** supervise children if they are replacing batteries themselves to ensure these guidelines are followed.
- Always** make sure that battery compartments are secure.
- Never** dispose of batteries in a fire as this can cause them to explode.
- Never** attempt to recharge ordinary batteries as this may cause fire or explosion.